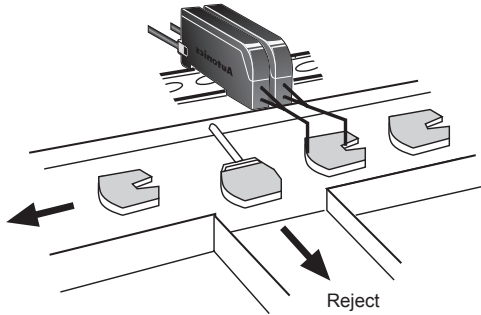
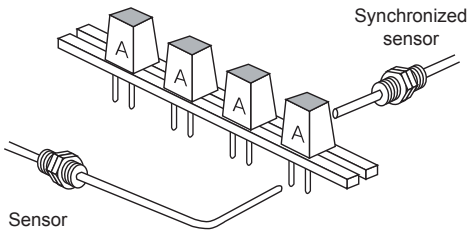
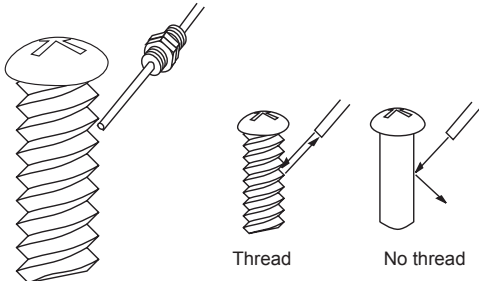
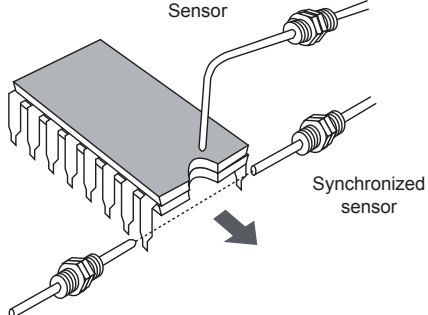


Applications

■ Applications

<p style="text-align: center;">Sensing form of targets</p> 	<p style="text-align: center;">Sensing components leads</p> 
<p style="text-align: center;">Sensing presence / absence of taps</p> 	<p style="text-align: center;">Sensing IC directions</p> 
<p>Available under water or in gas (except amplifier)</p>	
