

Autonics

Graphic Panel GP-S057

M A N U A L



Thank you very much for selecting Autonics products.
For your safety, please read the following before using.

9. Do not close ventilating opening of this product. Malfunction may occur due to temperature increase.
 10. Keep the product out of direct sunlight or excessive dust. The Graphic Panel may malfunction, or its useful life may be shortened.
 11. Do not use or store in a place with shock or vibration. The Graphic Panel may malfunction, or its useful life may be shortened.
 12. When liquid crystal from the broken LCD is smeared with skin, wash it for 15 minutes. If it is gotten in the eye, wash it for 15 minutes and contact with the medical specialist for more information.
 13. In cleaning unit, do not use water or an oil-based detergent and use dry towels. It may cause an electric shock or a fire.
 14. Please separate as an industrial waste when disuse this unit.
 15. To change the battery, contact the store or an authorized technician.
 16. The manufacturer is not liable for damages that occur due to causes for which the manufacturer is not responsible, damages that occur due to an extraordinary situation, secondary damages, compensation for accidents, damages occurring on other products, compensation for other processes, and damage and loss of opportunity to the user due a malfunction of the product, regardless of the predictability of the accident.
 17. Note that this device is KC certified for commercial use. Make proper applications for the product.
- ※The above specifications are subject to change and some models may be discontinued without notice.

Model

Model	Monitor size	Display unit	Color	Power supply	Interface
GP-S057-S1D0	5.7inch	STN LCD	MONO (Blue, White)	24VDC	Each port of RS232C, RS422C
GP-S057-S1D1					Two port RS232C

Specifications

General Specifications

Item	GP-S057-S1D0	GP-S057-S1D1
Power supply	24VDC	
Allowable voltage range	90 to 110% of power supply	
Power consumption	Max. 3.6W	
Serial interface	Each port of RS232C, RS422 (Asynchronous method)	Two ports of RS232C (Asynchronous method)
Real-time controller	RTC embedded	
Battery life cycle	3 years at 25°C	
Insulated resistance	Min.100MΩ (at 500VDC megger)	
Ground	3rd grounding(Max.100Ω)	
Noise immunity	The square wave noise (Pulse width 1μs) by the noise simulator with ± 0.5kV	
Withstanding voltage	500VAC(50/60Hz) for a minute	
Vibration	Mechanical	0.75mm amplitude at frequency of 10 to 55Hz (for a minute) in each of X, Y, Z directions for an hour
	Malfunction	0.5mm amplitude at frequency of 10 to 55Hz (for a minute) in each of X, Y, Z directions for 10 minutes
Shock	Mechanical	300m/s ² (30G) in X, Y, Z directions for 3 times
	Malfunction	100m/s ² (10G) in X, Y, Z directions for 3 times
Environment	Ambient temperature	0 to 50°C, Storage: -20 to 60°C
	Ambient humidity	35 to 85%RH, Storage: 35 to 85%RH
Protection ratings	IP65F for front panel	
Accessory	Fixing bracket : 4pcs, Rubber waterproof ring, Battery included	
Approval	CE	
Unit weight ※1	Approx. 555g (Approx. 376g)	

※1: The weight in parentheses is only unit weight.
※Environment resistance is rated at no freezing or condensation.

Performance Specifications

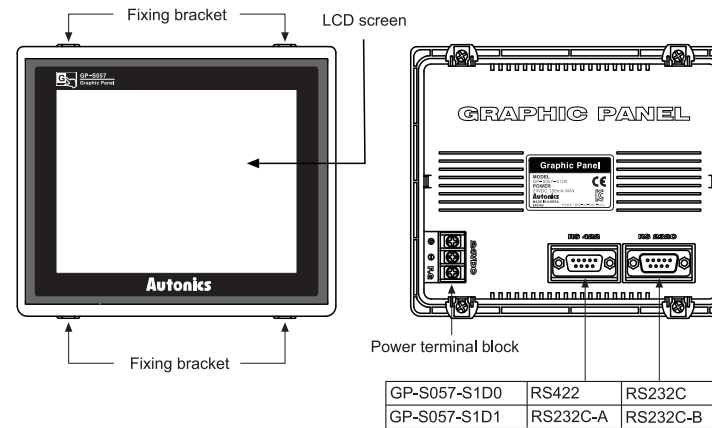
Model	GP-S057-S1D0(1)
Display performance	
LCD type	5.7inch STN Blue Negative
Resolution	320 × 240 dot
Display area	119mm × 91mm
Color	MONO(Blue, White)
LCD view angle	Within each 30° of top/bottom/right/left
Backlight	White LED
Brightness	Adjustable by software
Graphic Drawing Performance	
Language ※1	Support for Korean, English, Japanese, Chinese, Russian, Vietnamese, Portuguese
Text	●Up to 1590 characters (6 × 8 font) displayable ●6 × 8, 8 × 8 ASCII character, High quality view of numbers ●8 × 16 ASCII characters, 16 × 16 regional characters (1- 8 times bigger for width, 0.5-5 times bigger for height)
Graphic drawing memory	512 KB
Number of user screen	500pages
Touch switch	Width 16 × Height 12=192

※1: Language can be customized.

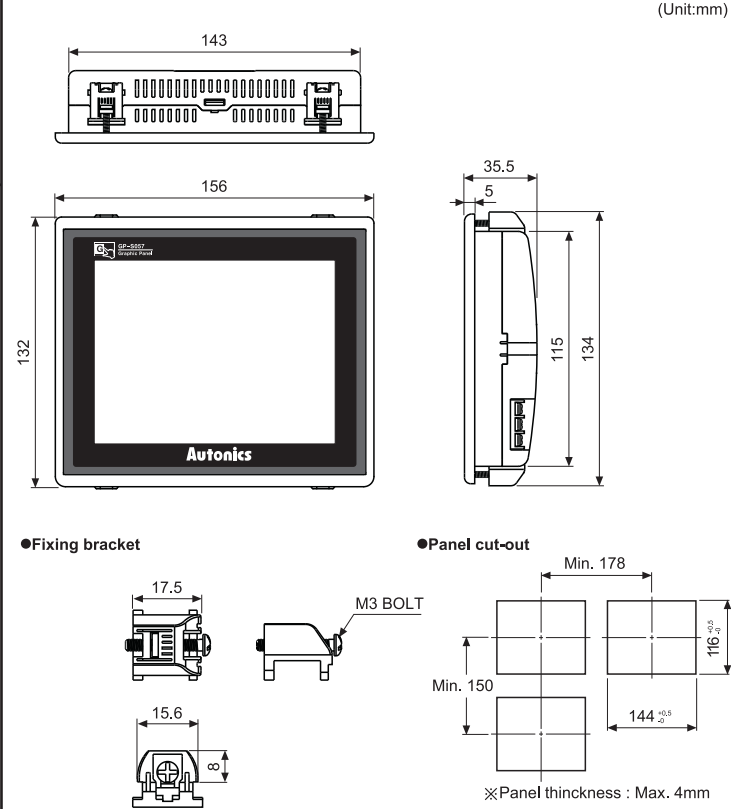
Cable

Communication cables connectable into external devices such as PLC are sold separately. Please refer to 'GP, LP user manual for communication' for communication cable.

Parts description

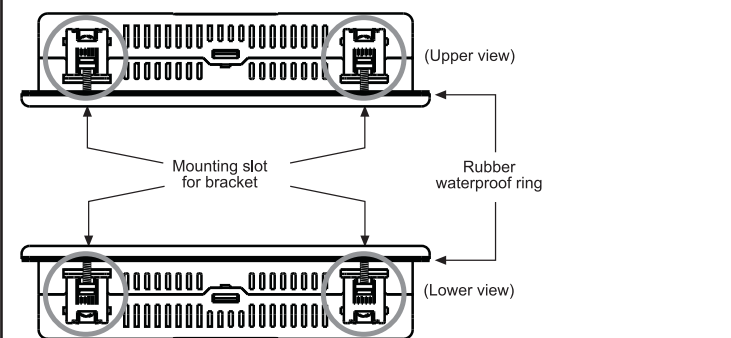


Dimensions

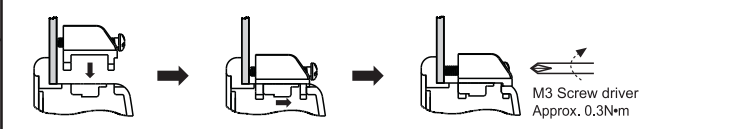


Installation

1. Set a rubber waterproof ring after placing the ring's joining part under the GP-S057.
2. Adhere closely between each edge of the GP-S057 and the rings.
3. Set GP-S057 in panel.
4. Set the fix bracket to 4 bracket slots and fix them with bracket's screws.



Mounting bracket



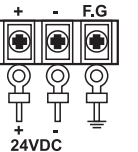
Serial interface

- All devices connectable into GP-S057 including PC, PLC, serial printer, barcode reader and dedicated connectors can be connected into both RS232C and RS422 ports.
- Device must be set for the port in system setting for GP-S057. For details, refer to 'GP Editor user manual'.
- For the method of wiring external devices of PLC, refer to 'GP, LP user manual for communication'.

Port	Pin	Port	Pin
RS232C RS232C-A RS232C-B	1	RS422	1
	2		2
	3		3
	4		4
	5		5
	6		6
	7		7
	8		8
	9		9

Power wiring

- For power supply, use the wire of which cross section is at least 0.75mm² and use the wire of which cross section is at least 1.25mm² for grounding.
- Use crimp-on type ring terminal with at least 3mm of internal diameter and less than 6mm of external diameter.
- Do not apply power before power line connection.
- Check power polarity.
- Tighten the terminal screw with 0.5 to 0.8N·m torque.
- Ground resistance should be less than 100Ω and ground it separately.



Software

Please visit our website (www.autonics.com) to download GP Editor or firmware.

GP Editor

GP Editor is for editing shape, arrangement, default of tag data which is displayed on GP-S057 screen. For GP Editor software, computer specification is as below.

Operating system: Windows 98/NT/XP/Vista

Item	Minimum specification	Recommended specification
CPU	Pentium 4 or above	Pentium Dual Core
Memory	256MB	512MB
Hard disk	1GB(available space)	2GB(available space)
Resolution	1024 × 768	1024 × 768

Firmware

Please refer to 'GP Editor user manual'.

Manual

Visit our website (www.autonics.com) to download 'GP Editor user manual, or GP, LP user manual for communication', GP-S044/S057 user manual.

GP Editor user manual

It describes how to write screen data, and is about related usage of GP-S057 HMI function.

GP, LP user manual for communication

It describes connection for external devices such as PLC.

GP-S044/S057 user manual

It describes general information on the installation and usage of GP-S057 and system control.

Battery replacement

Please contact our service center to replace GP-S057 battery. It may cause an explosion or a fire when using improper battery.

Caution for using

1. Use communication cable after checking whether there is break, short.
2. Please install power switch or circuit-breaker in order to cut power supply off.
3. Separate this unit from high voltage line, power line to avoid inductive noise.
4. Do not use this product at below places.
 - ① Place where there is severe vibration or impact
 - ② Place where dust exists, or corrosion causing environments.
 - ③ Place where strong magnetic field or electric noise are generated
 - ④ Place where is temperature/humidity is beyond the specification
 - ⑤ Place where strong alkalis or vibration or impact
 - ⑥ Place where there are direct ray of the sun
5. Installation environment
 - ① It shall be used indoor.
 - ② Altitude Max. 2,000m
 - ③ Pollution Degree 2
 - ④ Installation Category II

※It may cause malfunction if above instructions are not followed.

Major products

- Photoelectric sensors
- Fiber optic sensors
- Door sensors
- Door side sensors
- Area sensors
- Proximity sensors
- Pressure sensors
- Rotary encoders
- Connector/sockets
- Switching mode power supplies
- Control switches/Lamps/Buzzers
- I/O Terminal Blocks & Cables
- Stepper motors/drivers/motion controllers
- Graphic/Logic panels
- Field network devices
- Laser marking system(Fiber, CO₂, Nd:YAG)
- Laser welding/soldering system
- Temperature controllers
- Temperature/Humidity transducers
- SSR/Power controllers
- Counters
- Timers
- Panel meters
- Tachometer/Pulse(Rate) meters
- Display units
- Sensor controllers

Autonics Corporation
http://www.autonics.com

Satisfiable Partner For Factory Automation

■ HEAD QUARTERS:
18, Bamsong-ro 513beon-gil, Haeundae-gu, Busan, Korea

■ OVERSEAS SALES:
#402-404, Buecheon Techno Park, 655, Pyeongcheon-ro, Wonmi-gu, Bucheon, Gyeonggi-do, Korea
TEL: 82-32-610-2730 / FAX: 82-32-329-0728
E-mail: sales@autonics.com