

Autonics INTERFACE TERMINAL BLOCK AFS Series

M A N U A L



Thank you very much for selecting Autonics products.
For your safety, please read the following before using.

Caution for your safety

※Please keep these instructions and review them before using this unit.

※Please observe the following for safety.

Warning Serious injury may result if instructions are not followed.

Caution Product may be damaged, or injury may result if instructions are not followed.

※The following is an explanation of the symbols used in the operation manual.

Caution: Injury or danger may occur under special conditions.

Warning

- In case of using this unit with machinery (Ex: nuclear power control, medical equipment, ship, vehicle, train, airplane, combustion apparatus, safety device, crime/disaster prevention equipment, etc) which may cause damages to human life or property, it is required to install fail-safe device.**
It may cause a fire, human injury or damage to property.
- Do not repair or check units during power on.**
It may cause electric shock.
- Do not use this unit in place where there are flammable or explosive gas, humidity, direct ray of the sun, radiant heat, vibration, impact etc.**
It may cause explosion.
- Do not disassemble and modify this unit. Please contact us if it is required.**
It may cause electric shock or a fire.

Caution

- This unit shall not be used outdoors.**
It may shorten the life cycle of the product or cause electric shock.
- Please observe the rated specifications.**
It may shorten the life cycle of the product and cause a fire.
- In cleaning the unit, do not use water or an organic solvents. And use dry cloth.**
It may cause electric shock and a fire.
- Do not inflow dust or wire dregs into the unit.**
It may cause a fire or malfunction.

Ordering information

AF	S	H	20	20pins
			40	40pins
			50	50pins
		H		Hirose connector
		S		Screw
		AF		Interface terminal block

Applicable crimp terminal



	A	B	C	D	Applicable wires
Forked	Min. 4.1	Max. 16.0	Min. 3.0	Max. 5.9	AWG 22-16
Round	Min. 4.1	Max. 16.0	Min. 3.0	Max. 5.9	(0.30 to 1.25mm ²)

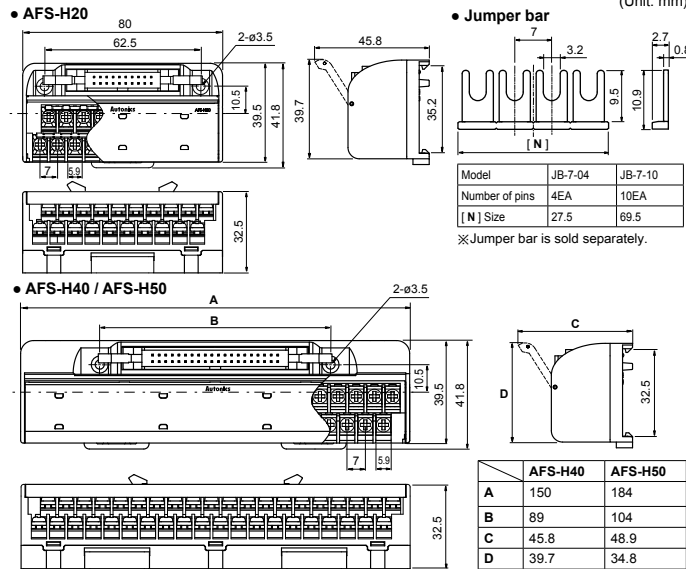
※The above specifications are subject to change without notice.

Specifications

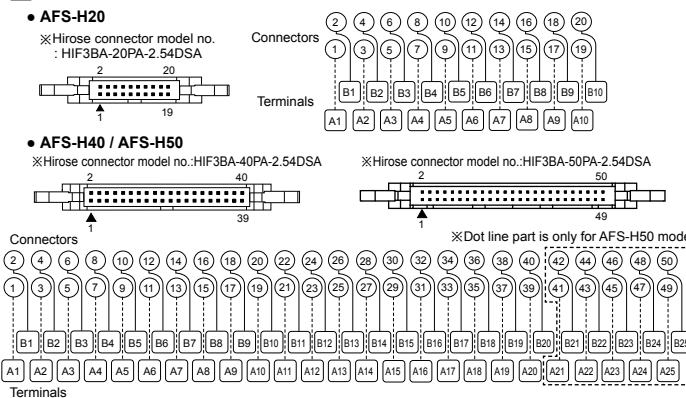
Model	AFS-H20	AFS-H40	AFS-H50
Rated voltage	Max. 125VDC, 125VAC 50/60Hz		
Rated current	Max. 1A		
Number of connectors	20pins	40pins	50pins
Number of terminals	20EA	40EA	50EA
Terminal pitch	7.0mm		
Applicable wires	Min. 1.25mm ²		
Insulation resistance	Min. 1,000MΩ(at 500VDC megger)		
Dielectric strength	600VAC 50/60Hz for 1 minute		
Vibration	0.75mm amplitude at frequency of 10 to 55Hz(for 1 min.) in each X, Y, Z direction for 2 hours		
Shock	150m/s ² (15G) in X, Y, Z directions for 3 times		
Environ-ment	Ambient temperature -15 to 55°C, Storage: -25 to 65°C		
	Ambient humidity 35 to 85%RH, Storage: 35 to 85%RH		
Material	CASE: MPPPO, TERMINAL PIN: Brass		
Tightening torque	0.4 to 0.6 N·m		
Approval	CE		
Unit weight	Approx. 71g	Approx. 133g	Approx. 163g

※Environment resistance is rated at no freezing or condensation.

Dimensions



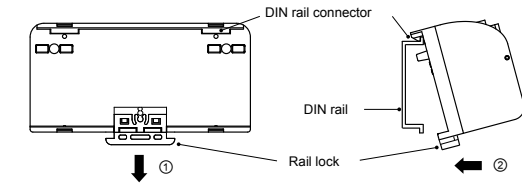
Wire connections



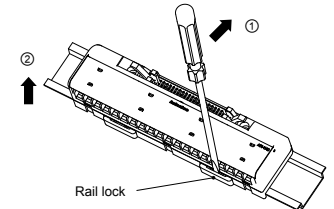
Installation

1. Mounting to and removing from DIN rail.

- Mounting
 - 1) Push rail lock to the direction "⊙".
 - 2) Hook DIN rail connector onto DIN rail.
 - 3) Push the unit down to the direction "⊙" and then push up the rail lock to the opposite direction "⊙".

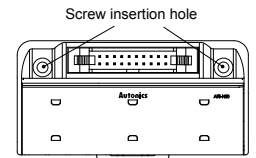


- Removing
 - 1) Insert a screwdriver into hole of rail lock and pull the lock out to the direction "⊙".
 - 2) Removing the unit by pulling to the direction "⊙".



2. Mounting to panel

- 1) This unit is able to mount on the panel with mounting holes next to Hirose connector.
- 2) It is recommended to use M3×30mm of spring washer screws and to use flat washers which are diameter φ6. The tightening torque should be 0.5 to 0.7N·m.



Caution for using

1. This unit shall not be used beyond specified temperature or humidity range.
2. Maintain voltage fluctuations in the power supply within specified range.
3. When connecting PLC or other controllers, check the polarity of power before wiring.
4. Use AWG 16(1.25mm²) wire and applicable crimp terminals to the terminal block.
5. Turn OFF the power supply before wiring or removing connectors.
6. Do not use this unit at below places.
 - ⊙ Place where there is severe vibration or impact.
 - ⊙ Place where strong alkalis or acids are used.
 - ⊙ Place where there are direct ray of the sun.
 - ⊙ Place where strong magnetic field or electric noise are generated.
7. Installation environment.
 - ⊙ It shall be used indoor
 - ⊙ Altitude Max. 2,000m
 - ⊙ Pollution Degree 2
 - ⊙ Installation Category II

※It may cause malfunction if above instructions are not followed.

Major products

- Proximity sensors
- Area sensors
- Photoelectric sensors
- Fiber optic sensors
- Door/Door side sensors
- Sensor controllers
- Graphic/Logic panels
- Temperature controllers
- Tachometer/Pulse(Rate) meters
- Temperature/Humidity transducers
- Switching/power supplies
- Stepping motors/drivers/motion controllers
- Field network devices
- Laser marking system(CO₂, Nd:YAG)
- Laser welding/soldering system
- Counters
- Timers
- Display units
- Panel meters
- Pressure sensors
- Rotary encoders
- Power controllers

Autonics Corporation

http://www.autonics.com

Satisfiable Partner For Factory Automation

■ **HEAD HEADQUARTERS :**
41-5, Yongdang-dong, Yangsan-si, Gyeongsang, 626-847, Korea

■ **OVERSEAS SALES :**
Bldg. 402 3rd FL., Bucheon Techno Park, 193, Yakdae-dong, Wonmi-gu, Bucheon-si, Gyeonggi-do, 420-734, Korea
TEL. : 82-32-610-2730 / FAX : 82-32-329-0728
E-mail : sales@autonics.com

The proposal of a product improvement and development: product@autonics.com

AS-KE-01-T0001D