

FXS Series

DIN W48×H48mm, Preset Counter/Timer

■ Features

- Upgraded counting speed: 1cps/30cps/2kcps/5kcps
- Selectable voltage input (PNP) or No-voltage input (NPN)
- Addition of Up/Down input mode
- Available to set a decimal point (Fixed decimal point of display)
- Wide range of input power supply: 100-240VAC 50/60Hz
12-24VAC 50/60Hz, 12-24VDC universal
- Selectable Counter/Timer by internal DIP switch
- Various time range: Built-in micro computer (Micom)




⚠ Please read "Caution for your safety" in operation manual before using.



■ Ordering Information

FX	4	S	-	I	Output	No mark	Single preset
					Size	I	Indicator
					Digit	S	DIN W48×H48mm
						4	9999 (4digit)
						5	99999 (5digit)
					Item	FX	Counter/Timer

■ Specifications

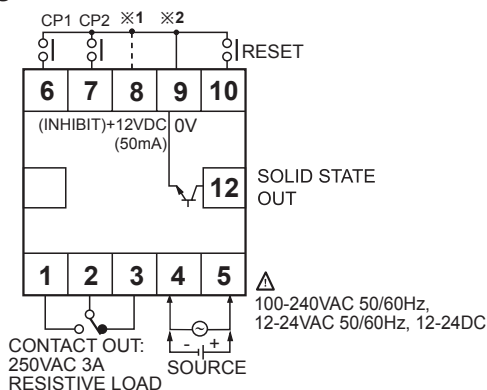
Model	Single preset	FX4S	—
	Indicator	—	FX5S-I
Digit		4digit	5digit
Digit size		W3.8×H7.6mm	W4×H8mm
Power supply	AC power	100-240VAC 50/60Hz	
	AC/DC power	12-24VAC 50/60Hz, 12-24VDC	
Allowable voltage range		90 to 110% of rated voltage	
Power consumption	AC power	• Indication type: Max. 4.7VA, • Single preset: Max. 5.7VA (100-240VAC 50/60Hz)	
	AC/DC power	• Indication type: Max. 4.5VA, • Single preset: Max. 5.6VA (12-24VAC 50/60Hz) • Indication type: Max. 2.8W, • Single preset: Max. 3W (12-24VDC)	
Max. counting speed for CP1, CP2		Selectable 1cps/30cps/2kcps/5kcps by internal DIP switch	
Min. input signal width	INHIBIT input	Approx. 20ms	
	RESET input		
Input	CP1, CP2 input (INHIBIT)	Input logic is selectable [Voltage input] Impedance: 5.4kΩ "H" level: 5-30VDC, "L" level: 0-2VDC [No-voltage input] Impedance at short-circuit: Max. 1kΩ, Residual voltage at short-circuit: Max. 2VDC, Impedance at open-circuit: Min. 100kΩ	
	RESET input		
One-shot output time		0.05 to 5sec	—
Control output	Contact	Type	SPDT (1c)
		Capacity	250VAC 3A at resistive load
	Solid-state	Type	NPN open collector
		Capacity	30VDC Max. 100mA Max.
Memory protection		Approx. 10 years (When using non-volatile semiconductor memory)	
External power		12VDC±10% 50mA Max.	
Insulation resistance		Min. 100MΩ (at 500VDC megger)	
Dielectric strength		2000VAC 50/60Hz for 1 minute	
Noise strength	AC power	±2kV the square wave noise (pulse width: 1μs) by the noise simulator	
	DC power	±500V the square wave noise (pulse width: 1μs) by the noise simulator	
Vibration	Mechanical	0.75mm amplitude at frequency of 10 to 55Hz (for 1 min.) in each X, Y, Z direction for 1 hour	
	Malfuction	0.5mm amplitude at frequency of 10 to 55Hz (for 1 min.) in each X, Y, Z direction for 10 min.	
Shock	Mechanical	300m/s ² (approx. 30G) in each X, Y, Z direction for 3 times	
	Malfuction	100m/s ² (approx. 10G) in each X, Y, Z direction for 3 times	
Relay life cycle	Mechanical	Min. 10,000,000 operations	
	Electrical	Min. 100,000 operations (250VAC 3A at resistive load)	
Environment	Ambient temperature	10 to 55°C, storage: -25 to 65°C	
	Ambient humidity	35 to 85%RH	
Approval		c  us	
Unit weight		Approx. 153g	Approx. 143g

※Environment resistance is rated at no freezing or condensation.

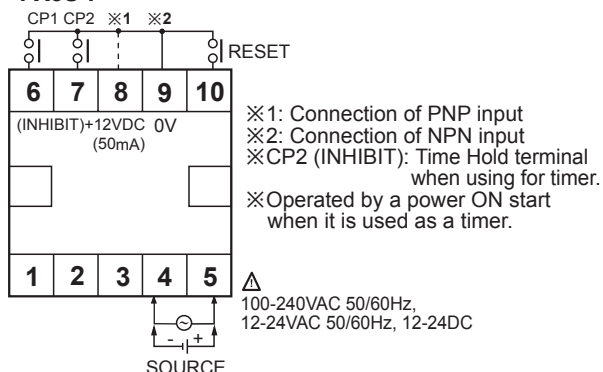
Up/Down Counter/Timer

■ Connections

● FX4S

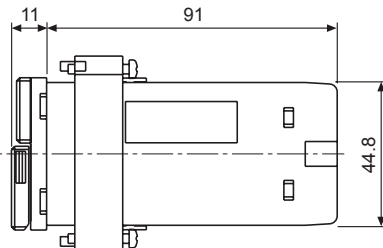
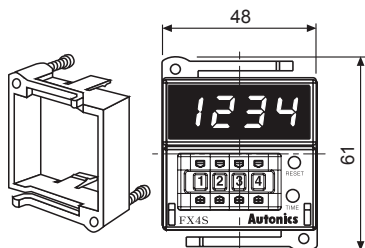


● FX5S-I

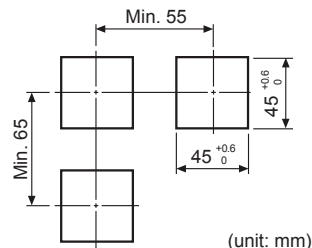


■ Dimensions

● Bracket



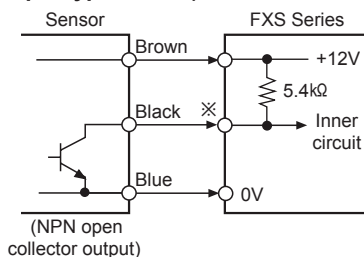
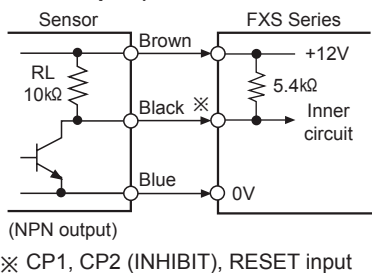
● Panel cut-out



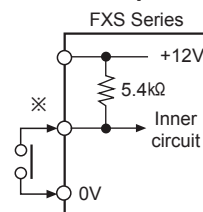
■ Input Connections

◎ Input logic: No-voltage (NPN) input

● Solid-state input (Standard sensor: NPN output type sensor)



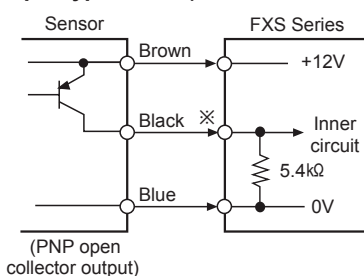
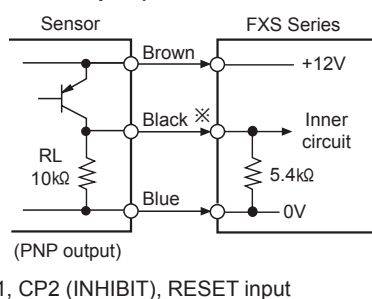
● Contact input



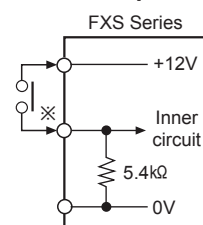
※Please select the counting speed as 1cps or 30cps when it is used for counter.

◎ Input logic: Voltage (PNP) input

● Solid-state input (Standard sensor: PNP output type sensor)



● Contact input



※Please select the counting speed as 1cps or 30cps when it is used for counter.

(A) Photoelectric Sensors

(B) Fiber Optic Sensors

(C) Door/Area Sensors

(D) Proximity Sensors

(E) Pressure Sensors

(F) Rotary Encoders

(G) Connectors/ Sockets

(H) Temperature Controllers

(I) SSRs / Power Controllers

(J) Counters

(K) Timers

(L) Panel Meters

(M) Tacho / Speed / Pulse Meters

(N) Display Units

(O) Sensor Controllers

(P) Switching Mode Power Supplies

(Q) Stepper Motors & Drivers & Controllers

(R) Graphic/ Logic Panels

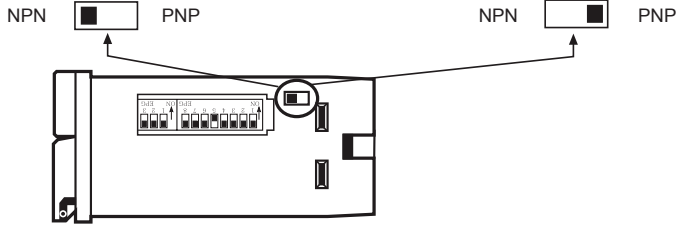
(S) Field Network Devices

(T) Software

FXS Series

Input Logic Selection

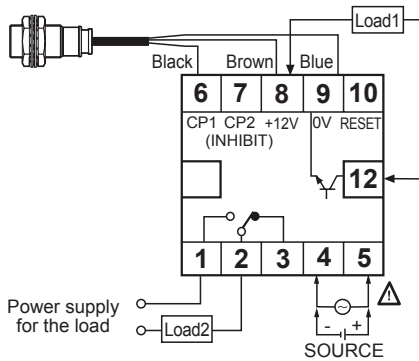
- Select NPN (No-voltage input) (Factory default)
- Select PNP (Voltage input)



※Please be sure to turn OFF the power before changing input logic.

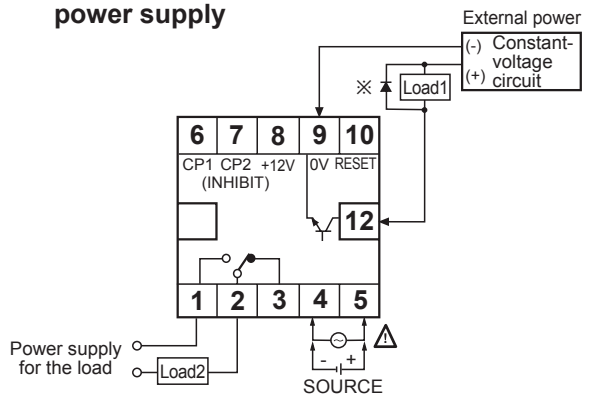
Input & Output Connections

- In case of operating the load by power supply of the sensor



- Please select proper capacity of load, because total current consumption should not be exceed current capacity. (Max. 50mA)
- Contact capacity: Max. 250VAC 3A

- In case of operating the load by external power supply

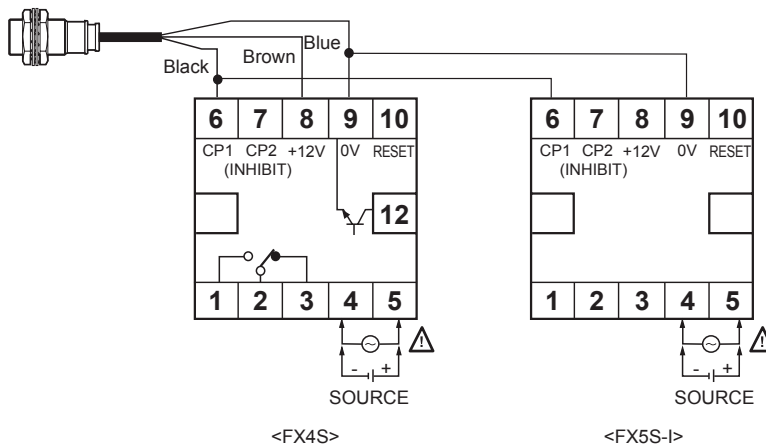


- The capacity of Load1 must not be exceed Max. 30VDC, Max. 100mA of the switching capacity of the transistor.
- Please do not supply the reverse polarity voltage.
- ※Please connect the surge absorber (Diode) at both terminals of Load1, in case of using the inductive load. (Relay, etc.)

- Using 2 counters with one sensor

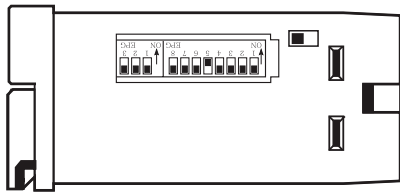
It is available to use 2 counters with one sensor.

Please connect as the power of sensor is supplied from only one way of counters and design input logic with same way.

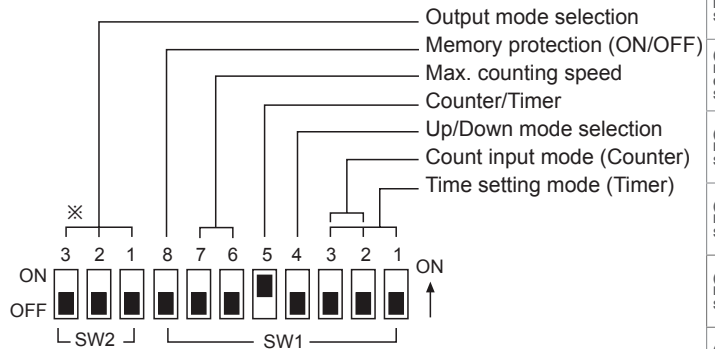


Up/Down Counter/Timer

■ Description Of Inner DIP Switches



- ※ Inner selection switch is changed from 10pin to 11pin with upgrade of counting speed.
- ※ There is no output operation mode in indication type (FX5S-I) and SW2 selection switch.



● Up/Down mode

SW1	Function
4 ON	Down mode
4 OFF	
5 ON	Up mode
5 OFF	

● Counter/Timer selection

SW1	Function
5 ON	Counter
5 OFF	Timer

● Memory protection

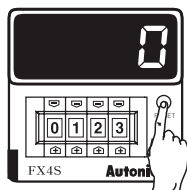
SW1	Function
8 ON	Disable the memory protection
8 OFF	Enable the memory protection

● Max. counting speed

SW1	CP1, CP2
6 ON, 7 ON	1cps
6 ON, 7 OFF	30cps
6 OFF, 7 ON	2kcps
6 OFF, 7 OFF	5kcps

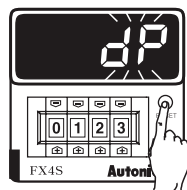
■ Setting Function Of Decimal point

Displays the decimal point.

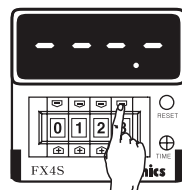


RUN mode

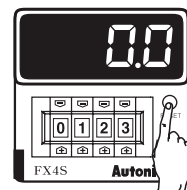
※If pressing RESET button for over 3sec. it advanced to decimal point setting mode.



※When "dP" flashes, touch RESET button once.



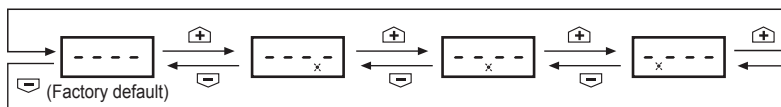
※Set the position of decimal point using (+), (-) buttons of digital switch.



Return to RUN mode

※It returns to RUN mode by press RESET button over 3sec.

● Changing the decimal point



- ※It returns to RUN mode if no RESET button or digital switch is applied for 60sec. in decimal point setting status.
- ※The decimal point setting is not existed in indication type.

(A) Photoelectric Sensors

(B) Fiber Optic Sensors

(C) Door/Area Sensors

(D) Proximity Sensors

(E) Pressure Sensors

(F) Rotary Encoders

(G) Connectors/ Sockets

(H) Temperature Controllers

(I) SSRs / Power Controllers

(J) Counters

(K) Timers

(L) Panel Meters

(M) Tacho / Speed / Pulse Meters

(N) Display Units

(O) Sensor Controllers

(P) Switching Mode Power Supplies

(Q) Stepper Motors & Drivers & Controllers

(R) Graphic/ Logic Panels

(S) Field Network Devices

(T) Software

Input Operation Mode (Counter)

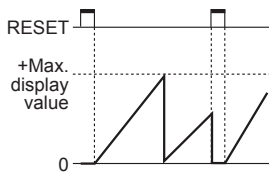
Input mode	SW1	No-voltage input (NPN)	Voltage input (PNP)		
Count up mode	ON <input type="checkbox"/> 4 OFF <input checked="" type="checkbox"/>	Up/Down-A (Command input)			
		Up/Down-B (Individual input)			
		Up/Down-C (Phase difference input)			
		Up (Count up input)			
	Count down mode	ON <input checked="" type="checkbox"/> 4 OFF <input type="checkbox"/>	Up/Down-D (Command input)		
			Up/Down-E (Individual input)		
			Up/Down-F (Phase difference input)		
Down (Count down input)					

※⊙: Over Min. signal width, ⊙: Over 1/2 of Min. signal width. Counting miss by one (± 1) occurs if the signal width of or is less than min. signal width.

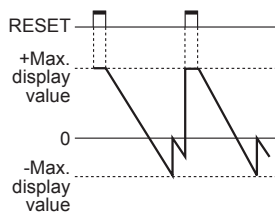
Up/Down Counter/Timer

Counting Operation Of Indication Type (Counter)

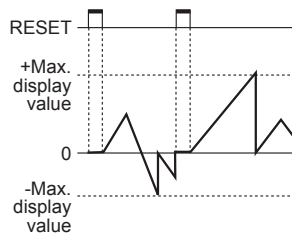
Up input mode



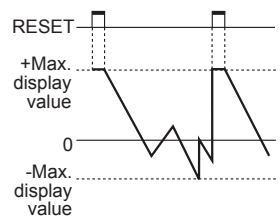
Down input mode



Up/Down-A, B, C input mode

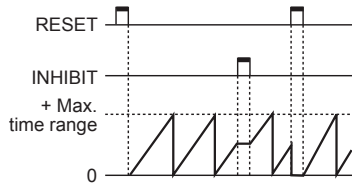


Up/Down-D, E, F input mode

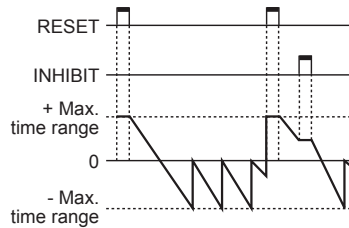


Time Operation Of Indication Type (Timer)

Up input mode



Down input mode



Time Setting Mode (Timer)

SW1	4digit	5digit
ON OFF 1 2 3 [ON] [ON] [ON]	99.99sec	9999.9sec
ON OFF 1 2 3 [ON] [OFF] [ON]	999.9sec	99999sec
ON OFF 1 2 3 [ON] [ON] [OFF]	9999sec	9min 59.99sec
ON OFF 1 2 3 [ON] [ON] [ON]	99min 59sec	99min 59.9sec
ON OFF 1 2 3 [ON] [ON] [ON]	999.9min	9999.9min
ON OFF 1 2 3 [ON] [ON] [ON]	99hour 59min	9hour 59min 59sec
ON OFF 1 2 3 [ON] [ON] [ON]	999.9hour	999hour 59min
ON OFF 1 2 3 [ON] [ON] [ON]	9999hour	9999.9hour

(A) Photoelectric Sensors

(B) Fiber Optic Sensors

(C) Door/Area Sensors

(D) Proximity Sensors

(E) Pressure Sensors

(F) Rotary Encoders

(G) Connectors/ Sockets

(H) Temperature Controllers

(I) SSRs / Power Controllers

(J) Counters

(K) Timers

(L) Panel Meters

(M) Tacho / Speed / Pulse Meters

(N) Display Units

(O) Sensor Controllers

(P) Switching Mode Power Supplies

(Q) Stepper Motors & Drivers & Controllers

(R) Graphic/ Logic Panels

(S) Field Network Devices

(T) Software

Output Operation Mode (By Internal DIP Switch)

■ ← One-shot output (0.05 to 5sec.)

□ ← Retained output

Output mode (SW2)	SW1 ON OFF <input checked="" type="checkbox"/> Up mode		SW1 ON OFF <input checked="" type="checkbox"/> Down mode		Operation after count up
	Up, Up / Down-A, B, C		Up, Up / Down-D, E, F		
F	Reset Preset 0 Output		Reset Preset 0 Output		<ul style="list-style-type: none"> The display value continues until reset signal is applied then output is held. Retained output will be maintained until reset signal is applied.
N	Reset Preset 0 Output		Reset Preset 0 Output		Display value and retained output are maintained until Reset signal is applied.
C	Reset Preset 0 Output		Reset Preset 0 Output		The display value returns to reset start status as soon as display value is reached to preset value.
R	Reset Preset 0 Output		Reset Preset 0 Output		The display value is held until output is OFF then returns to reset start status.
K	Reset Preset 0 Output		Reset Preset 0 Output		The display value continues until reset signal is applied.
P	Reset Preset 0 Output		Reset Preset 0 Output		The display value is held during one-shot output time, counting process is returned to reset start status as soon as output is ON.
Q	Reset Preset 0 Output		Reset Preset 0 Output		The display value continues during one-shot output time.
S	Up input	Down input			<ul style="list-style-type: none"> Up, UP/Down-A, B, C input mode -Output is ON when (Display value) ≥ (Preset value) Down, UP/Down-D, E, F input mode -Output is ON when (Display value) ≤ (Zero)
Counter	Reset Preset 0 Output	Reset Preset 0 Output	Up / Down-A, B, C	Up / Down-D, E, F	
S	Reset Preset 0 Output	Reset Preset 0 Output			The output turns ON after the setting time and then turns OFF after the setting time. This operation is repeated sequentially. (Flicker operation)
Timer	Reset Preset 0 Output	Reset Preset 0 Output			

※One-shot output time is set by front TIME adjuster.

■ Proper Usage

○ Reset function

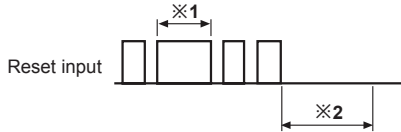
● Reset

In case of changing the input mode after supplying the power, please take external reset or manual reset.

If reset is not executed, the counter will be working as previous mode.

● Reset signal width

It is reset perfectly when the reset signal is applied during **min. 20ms** regardless of the contact input & solid-state input.



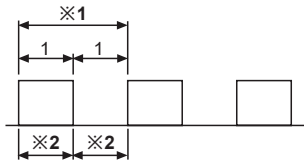
※1: In case of a contact reset, it is reset perfectly if the ON time of reset signal is applied during min. 20ms even though a chattering occurs.

※2: It can be input the signal of CP1, CP2 after min.50ms from closing time of reset signal.

○ Sensor power

The power 12VDC which is provided to sensor is built in it. Please use it under Max. 50mADC.

○ Min. signal width



※1: Please make duty ratio (ON/OFF) 1:1

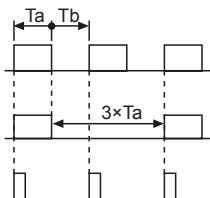
※2: Min. signal width

- 1cps: Min. 500ms
- 30cps: Min. 16.7ms
- 2kcps: Min. 0.25ms
- 5kcps: Min. 0.1ms

○ Max. counting speed

This is a response speed per 1 sec. when the duty ratio (ON:OFF) of input signal is 1:1.

If the duty ratio is not 1:1, the width between ON and OFF should be over min. signal width and the response speed will getting slower against input signal. And one of ON width and OFF width is under min. signal width, this product may not respond.

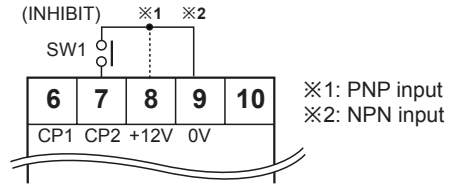


Width of T_a (ON) and T_b (OFF) must be larger than Min. signal width.

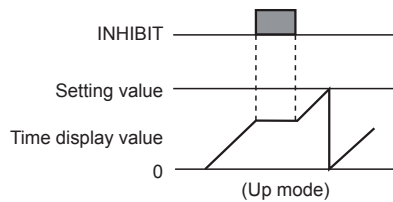
Max. counting speed is 1/2 value of rated spec. when duty ratio is 1:3.

It can not respond if it is smaller than min. signal width (T_a).

○ INHIBIT (For timer)



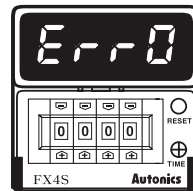
- If SW1 is ON, it becomes INHIBIT. (Time Hold)
- When power is applied, it starts to progress and INHIBIT mode is used to stop the time is under the progress at the moment.
- When SW1 is OFF, timer starts to progress again.



○ Error display

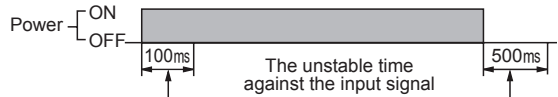
Error signal	Error description	Returning method
Err 0	Zero setting status	Change the setting value to non zero status

- ※When Error is displayed, the output continues OFF state.
- ※There is no Error function in indicator.

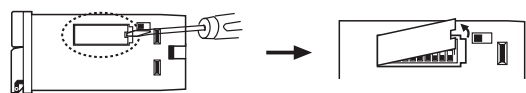


○ Power

The inner circuit voltage starts to rise up for the first 100ms after power on, the input may not work at this time. And also the inner circuit voltage drops down for the last 500ms after power off, the input may not work at this time.



○ Case & DIP switch detachment



Push a lock part to front direction and widen it simultaneously.

※Please be careful of the injury caused by tools.

(A) Photoelectric Sensors

(B) Fiber Optic Sensors

(C) Door/Area Sensors

(D) Proximity Sensors

(E) Pressure Sensors

(F) Rotary Encoders

(G) Connectors/ Sockets

(H) Temperature Controllers

(I) SSRs / Power Controllers

(J) Counters

(K) Timers

(L) Panel Meters

(M) Tacho / Speed / Pulse Meters

(N) Display Units

(O) Sensor Controllers

(P) Switching Mode Power Supplies

(Q) Stepper Motors & Drivers & Controllers

(R) Graphic/ Logic Panels

(S) Field Network Devices

(T) Software