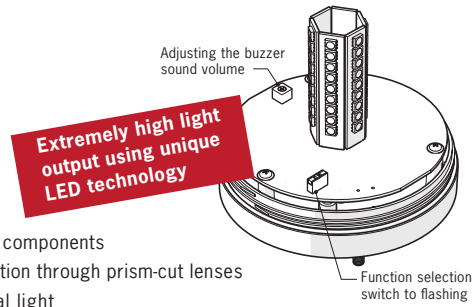


# MS115M Series LED Multi Color D115mm LED 3 Colors in 1 Signal Strobe Light

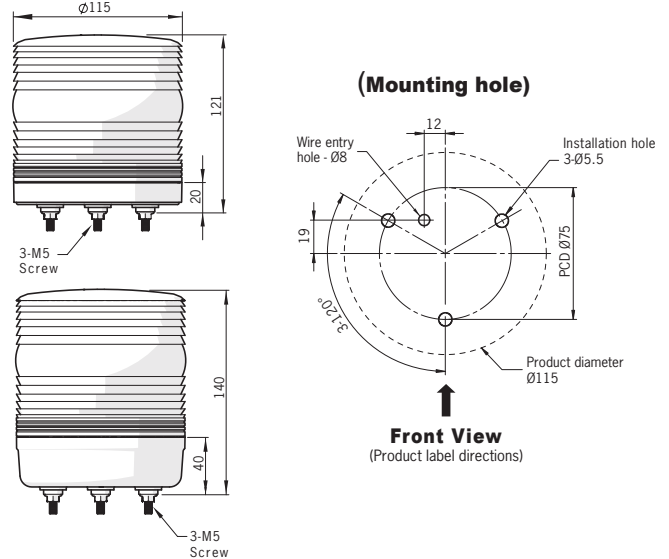


Strobe Light of High Brightness, Excellent Visibility from a Distance. Improving Visibility by Employing Special Scattering Lens.



- 3 colors in 1 LED modular components
- Bright & even light distribution through prism-cut lenses
- Multi-functional LED signal light
- Flashing Cycles: 2 patterns (Selectable by a switch)
- Optional 100dB Buzzer (adjustable volume)
- IP65 rated
- RoHS compliant

## Dimensions (unit: mm)



## Ordering Information

**MS115M - BFF - RYG - L**



### 1. Light Style

F	Steady + Flashing
B	Steady + Flashing + Buzzer

### 2. Power Supply

00	12 ~ 24VAC/DC
FF	90 ~ 240VAC

### 3. LED Colors

RYG	Red, Yellow, Green
RGB	Red, Green, Blue

### 4. Base Body Style

	20mm Base Body	L	40mm Base Body
--	----------------	---	----------------

## Specifications

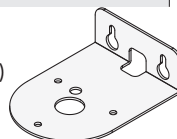
Operation/Function	Steady, Flashing, Buzzer	
Power Supply	12 ~ 24VAC/DC 90 ~ 240VAC (50/60Hz)	
Buzzer Sound Level	10 ~ 100 ±5 dB (at 1M), volume adjustable	
Lens Diameter	115 mm	Lens Color: Clear
Body Materials	ABS	Cap Materials: PC
Flashing Rate (Internal PCB board is dip switch controls)	F1: 80 flashes per minute ±10% F3: 240 flashes per minute ±10% (Emergency Signal lights)	
Feature set	Lead wire Connection	
Insulation Resistance	100 MΩ minimum (500V DC megger)	
Vibration	0.75mm at 10~55Hz	
Ambient Temperature	-20 to 40°C	
Storage Temperature	-20 to 70°C	
Ambient Humidity	45 ~ 85% RH	
Degree of Protection	IP65	
Approvals	UL, RoHS	
Recommended Wire Size	1007 UL / 22AWG	
Weight	Approx. 360g	

## Current Consumption (Maximum current consumption when LED is lit.)

Volt.	LED	Red/Yellow/Green, Red/Green/Blue	Buzzer
12 ~ 24V		435 ~ 605mA ±10%	150mA
90 ~ 240V		60 ~ 130mA ±10%	

## Accessories

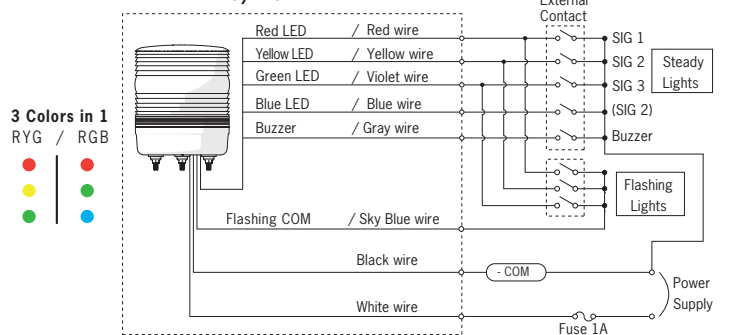
Wall mount bracket (MAM-DS29)  
Steel



See page 45~47 for dimensions

## Wiring Diagram

### 12 ~ 24VAC/DC



\*No polarity for DC applications

### 90 ~ 240VAC

