

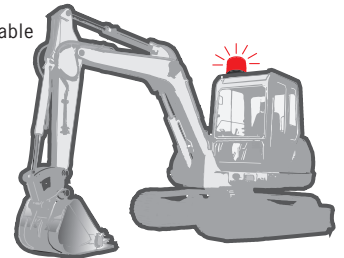
MS115S Series D115mm Xenon lamp Signal Light



Strobe Light of High Brightness, Excellent Visibility from a Distance.
Improving Visibility by Employing Special Scattering Lens



- Xenon light
- Wide light distribution with prism-cut dome-shaped lens
- Outstanding visibility at distance
- PCB module style Xenon lamp
- Fast and easy replacement of lamp
- Red, Yellow, Green, Blue and Clear lens available
- IP65 rated



Ordering Information

MS115S - S 2 0 - R
 ① ② ③

1. Light Style

S	Xenon Strobe Lamp
---	-------------------

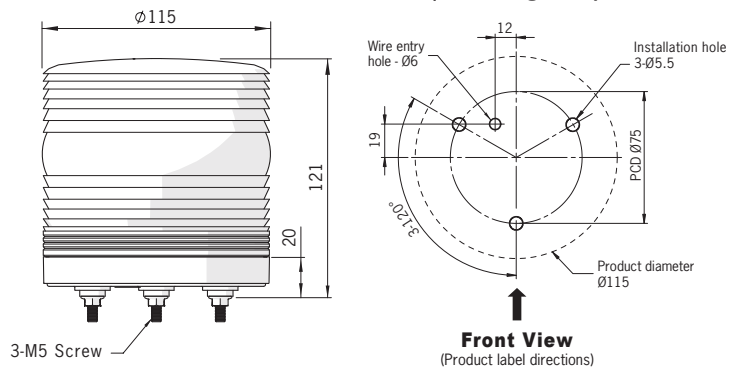
2. Power Supply

00	12 ~ 24VAC/DC
10	110VAC
20	220VAC

3. Lens Colors

R	Red
Y	Yellow
G	Green
B	Blue
C	Clear

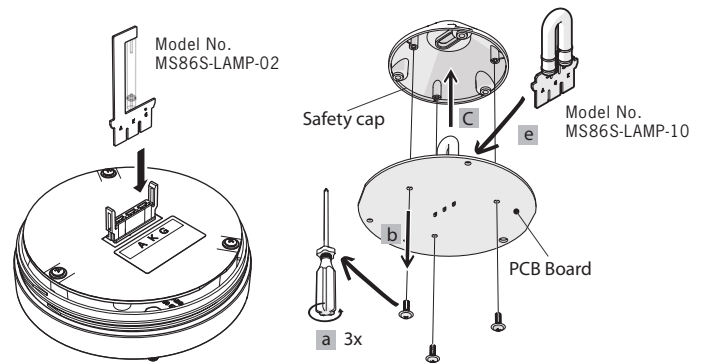
Dimensions (unit: mm)



Xenon lamp Application (Replacement PCB Module)

► 12 ~ 24 AC/DC Type
3W Lamp

► 110V, 220V AC Type
6W Lamp

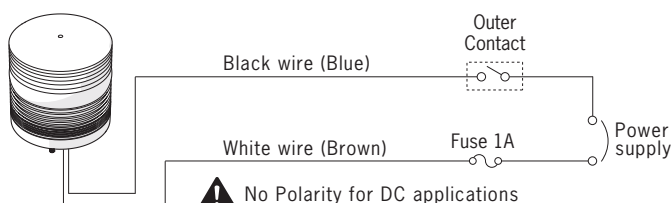


Specifications

Size	115mm
Light source	Xenon strobe
Power Supply	12 ~ 24VAC/DC, 110VAC, 220VAC
Mounting	Body direct mounting, L-shaped bracket
Lens colors	Red, Yellow, Green, Blue, Clear (Material: PC resin)
Flash per minute	60 \pm 10%times/minute
Current Consumption (\pm 10%)	12 ~ 24V: 78 ~ 150mA 110V: 30mA 220V: 30mA
Vibration	0.75mm at 10~55Hz
Ambient Temperature	-20 to 40°C
Storage Temperature	-20 to 70°C
Ambient Humidity	45 ~ 85% RH
Degree of Protection	IP65
Approvals	UL, RoHS
Recommended Wire Size	UL 2464, 22AWGx2C
Weight	Approx.315g

* Specifications are subject to change without notice.

Wiring Diagram



Optional Orders (unit: mm)

Wall Mount Bracket
MAM-DS29
Steel

