

MS86S Series D86mm Xenon lamp Strobe Light



Strobe Light of High Brightness, Excellent Visibility from a Distance
Improving Visibility by Employing Special Scattering Lens



- Xenon light
- Wide light distribution with prism-cut dome-shaped lens
- Outstanding visibility at distance
- PCB module style Xenon lamp
- Fast and easy replacement of lamp
- Red, Yellow, Green, Blue and Clear lens available
- IP65 rated

Ordering Information

MS86S - S 0 0 - R
① ② ③

1. Light Style

S	Xenon Strobe Lamp (molding type)
N	Xenon Strobe Lamp (Not molding type)

2. Power Supply

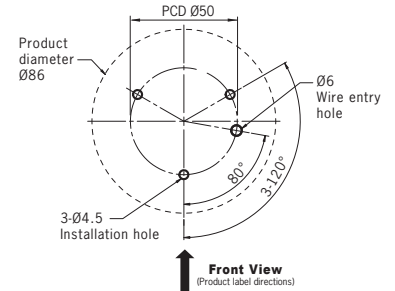
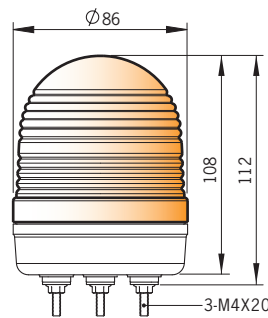
00	12 ~ 24VAC/DC
10	110VAC (Not molding type)
20	220VAC (Not molding type)

3. Lens Colors

R	Red
Y	Yellow
G	Green
B	Blue
C	Clear



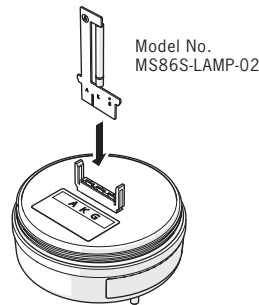
Dimensions (unit: mm)



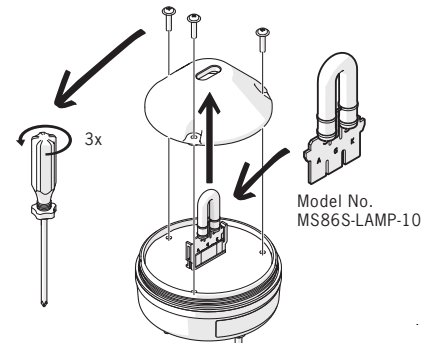
▲ Stud Mount hole layout

Xenon lamp Application

▶ 12 ~ 24VAC/DC Type
3W Lamp



▶ 110V, 220VAC Type
6W Lamp

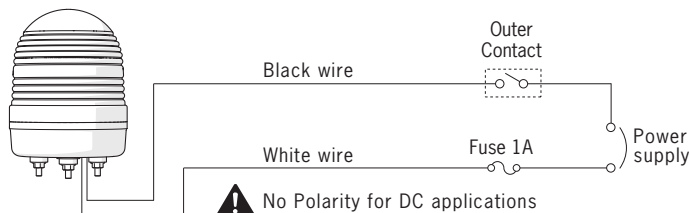


Specifications

Size	86mm
Light source	Xenon strobe
Power Supply (50/60Hz)	12 ~ 24VAC/DC, 110VAC, 220VAC
Mounting	Body direct mounting, L-shaped bracket
Lens colors	Red, Yellow, Green, Blue, Clear (Material: PC resin)
Flash per minute	Approx. 60 times/minute ±10%
Power Current (±10%)	- 12 ~ 24V: 0.078~0.15A - 110V: 0.03A - 220V: 0.03A
Vibration	0.75mm at 10~55Hz
Ambient Temperature	-20 to 40°C
Storage Temperature	-20 to 70°C
Ambient Humidity	45 ~ 85% RH
Degree of Protection	IP65
Approvals	UL, RoHS
Recommended Wire Size	UL2464, 22AWGx2C
Weight	Approx.300g - Mold type, Approx.200g - Standard

※ Specifications are subject to change without notice.

Wiring Diagram



Optional Orders

1. Mounting Pole



2. Wall Mount Brackets



See Page 56 ~ 58
for Mounting Options and Accessories.

