

MW86M Series

D86mm Wall Mounting LED 3 Colors in 1 Signal Light (Multi Sound)



MW86M Series combines LED Signal Light and Sound.
It can be easily fixed on the wall without extra equipments.

- 3 Colors in 1 Signal Light
- Steady, Flashing functions from high-bright LED
- 2 Types of Flashing functions
 - Regular flashing, Urgency signal flashing
- Built-in Speaker for 3 sounds
- Removable Horn is offered



Ordering Information

MW86M - F 00 - RYG - M3 (B)

① ② ③ ④ ⑤ ⑥

1. Series

MW86M | 3 Colors in 1 Signal Light

2. Functions

F | Steady + Flashing

3. Power Supply

00 | 12 ~ 24VDC
FF | 90 ~ 240VAC

4. Lens Colors

RYG | Red, Yellow, Green
RGB | Red, Green, Blue

5. Select Sound type

M3 | 3 Melody sounds
S3 | 3 Siren sounds

▶ **3 Melody** | For Elise, Home, Sweet Home, Cuckoo Waits

▶ **3 Siren** | Fire siren, Police siren, Ambulance siren

6. Body Color (Option)

Ivory
(B) | Black

Specifications

LED Functions	Steady + Flashing	
Power Supply	12 ~ 24VDC, 90 ~ 240VAC (AC. 50/60Hz)	
Light Source	LED	
Wiring	Lead wire	
Flashing Rate (Internal PCB board dip switch)	F1 : 80 flashing per minute (±5) F3 : 240 flashing per minute (±10)	
Material	Body - ABS, LensCap - PC (Lens Color : Clear)	
Mounting	Wall mounting (upright only)	
Ambient Temperature	-20 to 40°C	Storage Temperature -20 to 70°C
Ambient Humidity	45~85% RH	
Inner Vibration	0.75mm at 10~55Hz	
Wire specifications	1007UL / 22AWG, Sound wire - 2464UL / 22AWG	
Approvals	RoHS	

	General Type	Horn Type
Sound volume (1m)	55 ~ 85±5dB	55 ~ 90±5dB
Degree of Protection	IP43	IP54
Weight (AC type basis)	App. 286g	App. 313g

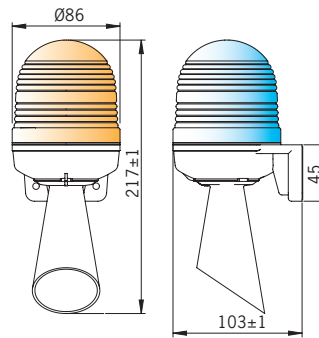
Note : Life of the LED varies according to operating conditions and environment.

Current consumption (Combined current consumption of both LED light and sound)

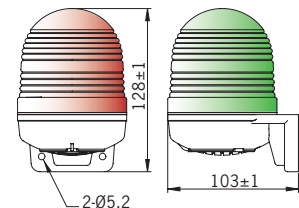
	12 - 24VDC	90 - 240VAC
Red, Yellow, Green and Blue LED	Max. 0.40A±10%	Max. 0.12A±10%
Only sound operation	Max. 0.20A±10%	Max. 0.06A±10%

Dimensions (unit: mm)

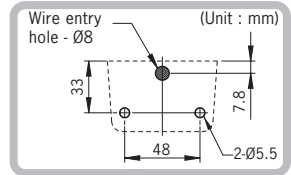
▼ Horn type



▼ General type

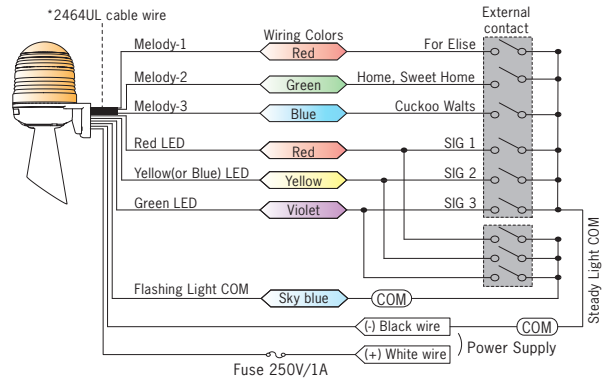


(Panel mounting hole)

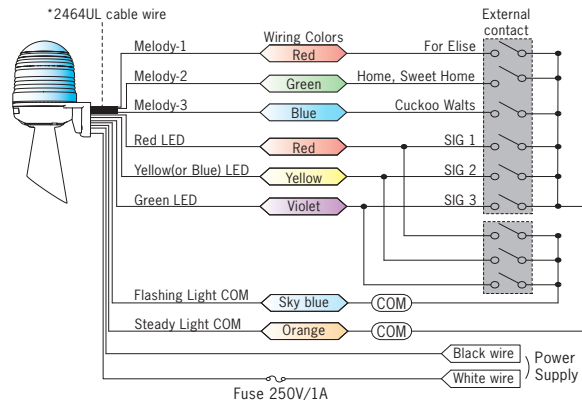


Wiring Diagram

▶ Melody type / 12 - 24VDC



▶ Melody type / 90 - 240VAC



Wiring Diagram (Siren type), Sound Setting table

Note: See page 37

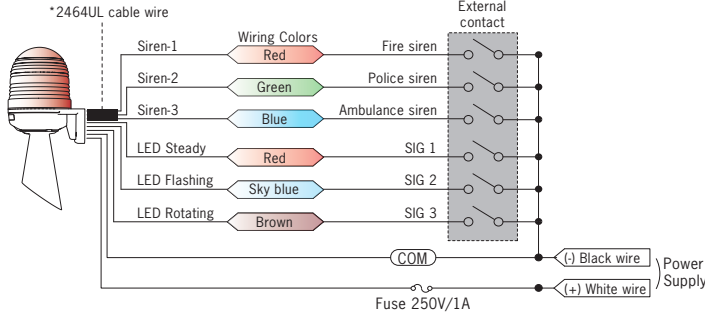


MW86T, MW86M Series Wiring Diagram

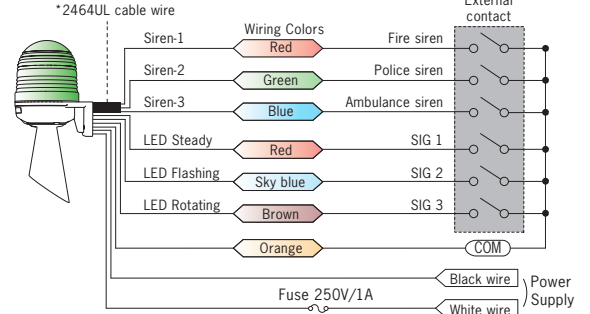
Wiring Diagram

MW86T Series

▶ Siren type / 12 ~ 24VDC

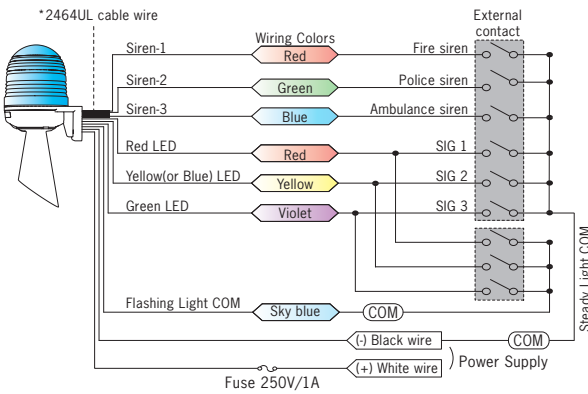


▶ Siren type / 90 ~ 240VAC

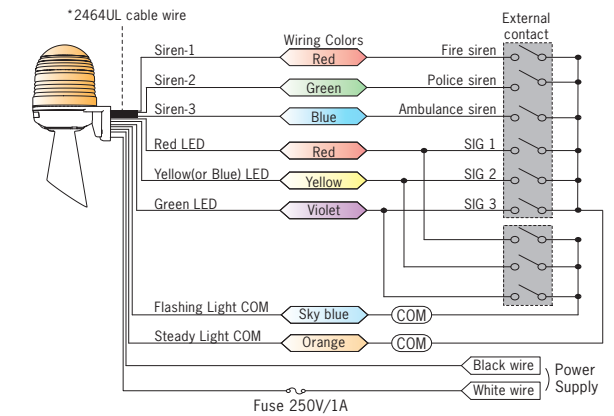


MW86M Series

▶ Siren type / 12 ~ 24VDC



▶ Siren type / 90 ~ 240VAC



Sound setting and operation (MW86T, MW86M, MW86N Series)

▶ Melody sound

Wiring Colors	Red wire	Green wire	Blue wire	Melody reaction	Notes
Normal entry conditions	1	1	1	Notes	1. If you don't select any signal (Under this condition, 111 is displayed), or select three signals at the same time (Under this condition, 000 is displayed), then the melody doesn't play. 2. Priority order of melody-playback (1) Red wire - For Elise (2) Green wire - Home, Sweet Home (3) Blue wire - Cuckoo Walts
	0	1	1	For Elise	
	1	0	1	Home, Sweet Home	
Priority entry conditions	1	1	0	Cuckoo Walts	
	1	0	0	For Elise (priority-1)	
	0	1	0	Home, Sweet Home (priority-2)	
	0	0	1	Cuckoo Walts (priority-3)	

▶ Siren sound

Wiring Colors	Red wire	Green wire	Blue wire	Melody reaction	Notes
Normal entry conditions	1	1	1	Notes	It's impossible to input two or three signals at the same time ※ If you connect several wires at the same time, sounds will be played sequentially according to the priority order. Fire siren → Police siren → Ambulance siren
	0	1	1	Fire siren	
	1	0	1	Police siren	
	1	1	0	Ambulance siren	